

WORKTITUDE



Aluminum Interactive Counterbalance Monitor Arms



Vertical Adjustment
Gas Spring Assisted

Detachable VESA panel makes installation easier



Both grommet and desk clamp mounting available



Create a clean sleek look by concealing cables from sight



Built-in spring tension gauge adjusts for various arm weight loads



Added slots for holding tools in case of possible maintenance in future

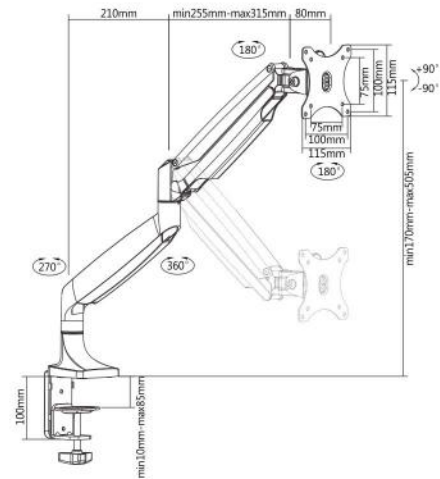
Aluminum Interactive Counterbalance Monitor Arms



Arm Extend: 525mm
LDT10-C012

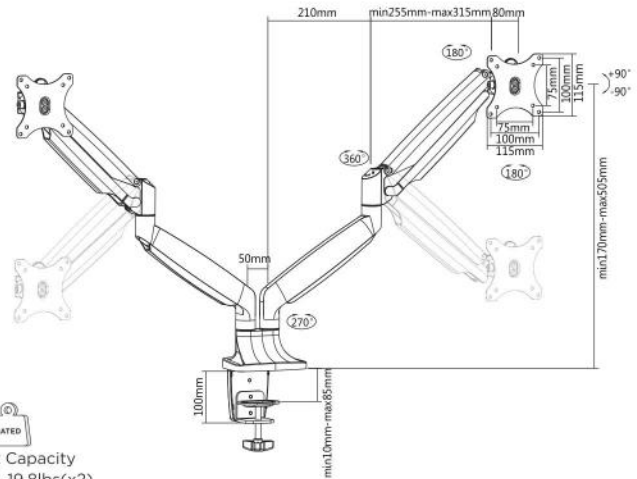
 Weight Capacity
 1-9kg/2.2-19.8lbs

Compliant test to
ANSI/BIFMA mechanical safety
 and performance standards.



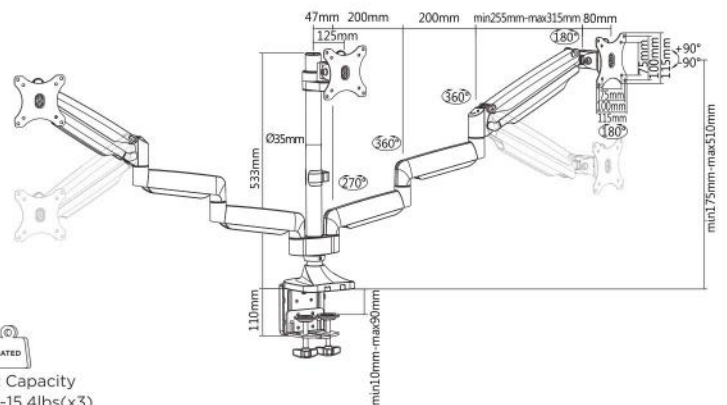
Arm Extend: 525mm
LDT10-C024

 Weight Capacity
 1-9kg/2.2-19.8lbs(x2)



Arm Extend: 715mm
LDT10-C036

 Weight Capacity
 1-7kg/2.2-15.4lbs(x3)



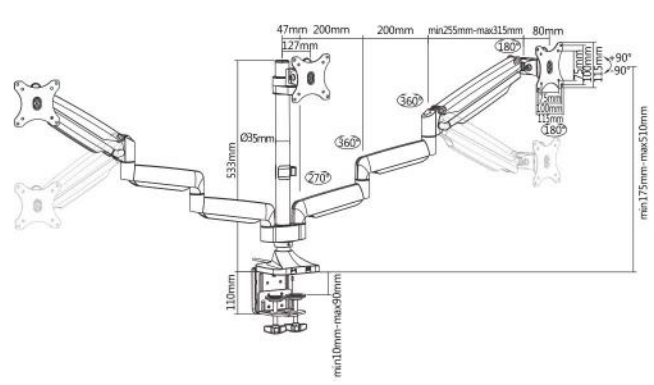
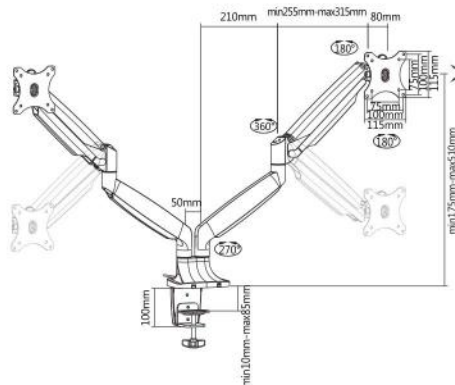
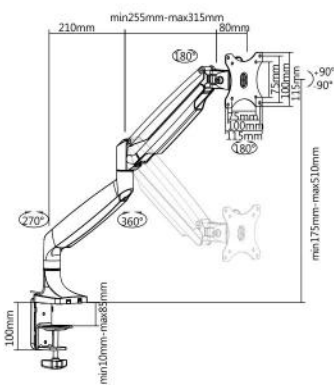
-  Screen Size
13"-32"
-  Tilt Range
+90°--90°
-  Swivel Range
+90°--90°
-  Screen Rotation
180°
-  VESA Compatible
75x75 100x100
-  Curved Monitor
-  Cable Management

Aluminum Interactive Counterbalance Monitor Arms



3.0 USB Port and Audio Port on Base of the Mount

convenient for supporting data transfer, charging, headphones, and microphone.



- Screen Size: 13"-32"
- Tilt Range: +90°--90°
- Swivel Range: +90°--90°
- Screen Rotation: 180°
- VESA Compatible: 75x75 100x100
- Curved Monitor
- Cable Management